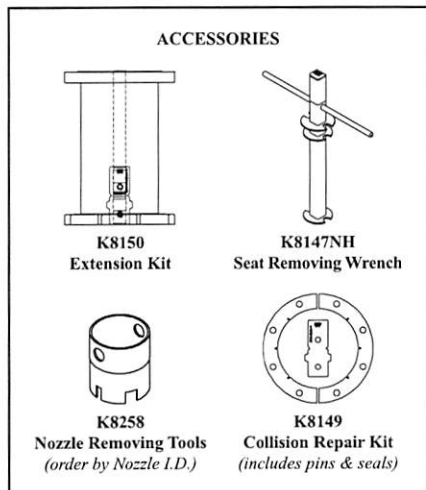
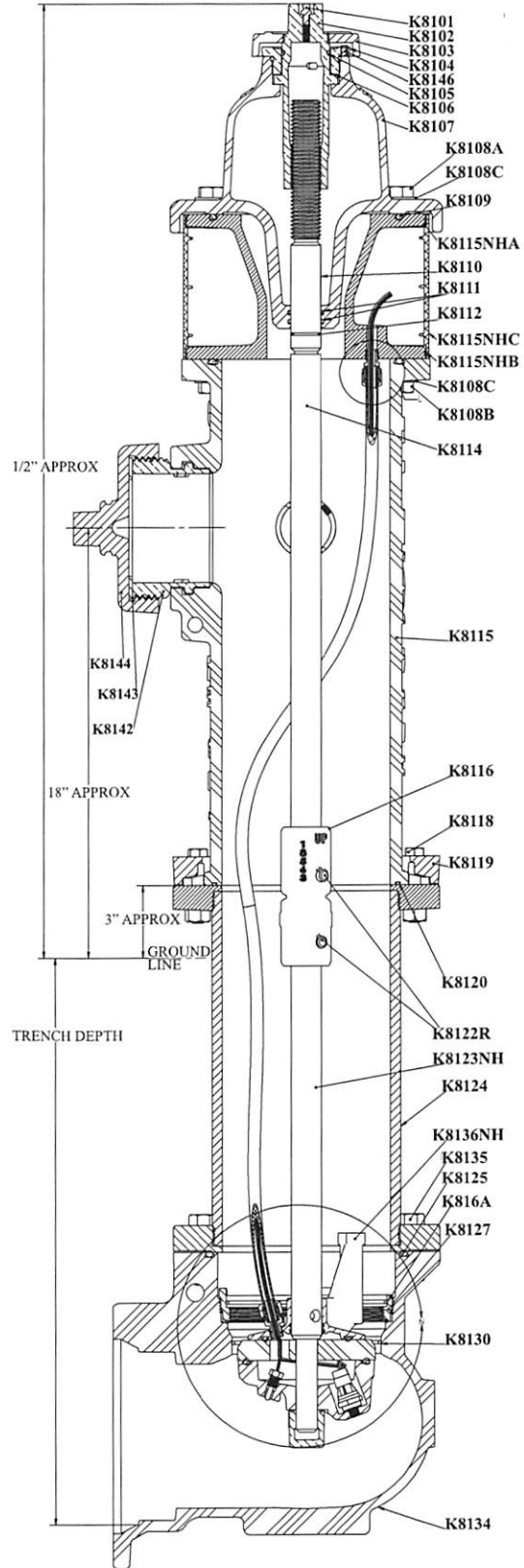
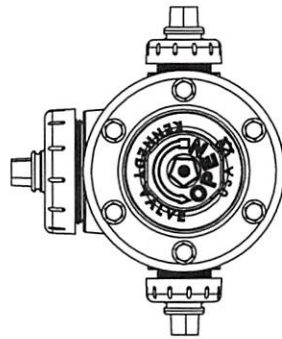
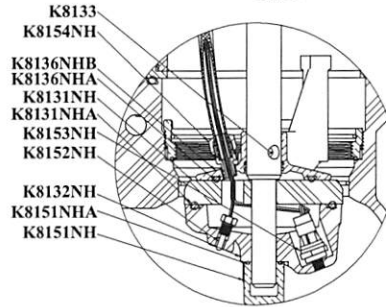
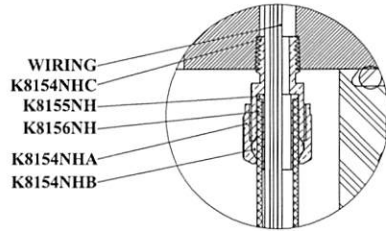




# K81 GUARDIAN iHYDRANT WITH ELBOW

KENNEDY VALVE Pg. 1 of 2





# K81 GUARDIAN iHYDRANT WITH ELBOW

KENNEDY VALVE Pg. 2 of 2

## MARKINGS

<b>FRONT</b>	<b>BACK</b>
[Current Year]	KENNEDY
[Size]	U.S.A.
[Kennedy Valve Logo]	ELMIRA, NY
KENNEDY	
ELMIRA, NY	AWWA
AWWA	
250 CWP	K81-A

## SPECIFICATIONS

**No. Turns to Open:** 15½ (open left)  
**Cap & Operating Nut Size & Shape:** 1½" Pentagon  
**Hose Nozzle Thds:** (2) 2½" NST (Ref. NFPA No. 1953)  
**Steamer Nozzle Thds:** (1) 4½" NST (Ref. NFPA No. 1963)  
**Trench Depth:** Per Order  
**Size & Type of Pipe Connect. to Main:** 6" Straight Shoe (other end types available)  
**Paint:** Per Order

## PARTS & MATERIALS

DETAIL	PART	MATERIAL	ASTM SPEC	DETAIL	PART	MATERIAL	ASTM SPEC
K8101	ALEMITE FITTING	STAINLESS STEEL	A276 (304)	+ K8130	O-RING	BUNA-N (SYN. RUBBER)	D2000
+ K8102	OPERATING STEM NUT	BRONZE	B584 C84400/AWWA Grade A	+ K8131NH	MAIN VALVE	EPDM	D2000
K9103	DIRT SHIELD	CAST IRON	A126 Class B	K8131NHA	O-RING	RUBBER	D2000
K8104	STEM LOCK NUT	BRONZE	B584 C84400/AWWA Grade A	K8132NH	BOTTOM PLATE	CAST IRON	A126 CLASS B
+ K8105	O-RING	RUBBER	D2000	K8132NHA	O-RING	RUBBER	D2000
+ K8106	THRUST WASHER	NYLATRON GS	MIL LP-410	K8133	DRAIN VALVE PIN	STAINLESS STEEL	410 / 416
K9107	HYDRANT CAP	CAST IRON	A126 CLASS B	K8134	ELBOW	CAST IRON	A126 CLASS B
K8108A	CAP BOLTS	STAINLESS STEEL	F593	K8135	ELBOW NUTS & BOLTS	STAINLESS STEEL	F593C / F594
K8108B	SOCKET HEAD BOLTS	STAINLESS STEEL	F593	K8136NH	DRAIN VALVE	BRONZE	B806 C95400 / 95500
K8108C	SEAL WASHERS	STAINLESS STEEL		K8136NHA	O-RING	RUBBER	D2000
K8109	CAP SEAL	RUBBER	D2000	K8136NHB	O-RING	RUBBER	D2000
K8110	STEM FERRULE	BRASS	B136 C26000	+ K8137	DRAIN VALVE FACING w/ INSERT	BUNA-N w/ S.S.	D2000 / A276 (304)
+ K8111	O-RING	BUNA-N (SYN. RUBBER)	D2000	K8139	NOZZLE CAP CHAIN (Not Shown)	STEEL	A108
* K8112	O-RING	BUNA-N (SYN. RUBBER)	D2000	K8140	NOZZLE CHAIN BAND (Not Shown)	STEEL	A108
K8114	UPPER STEM	COLD DRAWN STEEL	A108 C1018 / C1020	+ K8141	NOZZLE RETAINING SCREW (Not Shown)	STAINLESS STEEL	A276 (304)
K8115	UPPER BARREL	CAST IRON	A126 CLASS B	# K8142	NOZZLE	BRONZE	B806 C95400 or B584 C89833
K8115NHA	SPOOL	DUCTILE IRON	ASTM 536 70-50-5	+# K8143	NOZZLE CAP GASKET	NEOPRENE	D2000
K8115NHB	O-RINGS	BUNA-N (SYN. RUBBER)	D2000	# K8144	NOZZLE CAP	CAST IRON	A126 CLASS B
K8115NHC	WEATHER GUARD	POLYCARBONATE / ABS BLEND	PC+ABS=FR(40)	+# K8145	O-RING	BUNA-N (SYN. RUBBER)	D2000
K8116	STEMBREAKER COUPLING	CAST IRON	A126 CLASS B	K8146	SET SCREW	STAINLESS STEEL	410
K8118	BOLTS & NUTS	STEEL (ZINC PLATED)	A307 / SAE GRADE 2	K8151NH	LOCK NUT	BRASS	
K8119	BREAKING RING	CAST IRON	A126 CLASS B	K8151NHA	O-RING	RUBBER	
K8120	O-RING	BUNA-N (SYN. RUBBER)	D2000	K8152NH	TEMPERATURE SENSOR		
K8122R	COUPLING PINS	STAINLESS STEEL	302 HQ	K8153NH	PRESSURE SENSOR		
K8123NH	LOWER STEM	STAINLESS STEEL	A276 (304)	K8154NHA	COMPRESSION NUT	BRASS FOR 1/2" TUBE	
K8124	LOWER BARREL	DUCTILE IRON	ANSI / AWWA C151 / A21.5	K8154NHA	COMPRESSION FERRULE	BRASS FOR 1/2" TUBE	
+ K8125	ELBOW O-RING	BUNA-N (SYN. RUBBER)	D2000	K8154NHC	TUBE TO MALE PIPE STRAIGHT ADAPTER	BRASS 1/2" TUBE x 1/4" MNPT	
+ K8126A	O-RING	BUNA-N (SYN. RUBBER)	D2000	K8155NH	TUBE SUPPORT	BRASS FOR 1/2" TUBE	
* K8127	SEAT RING INSERT	BRONZE	B806 C95400 or B584 C89833	K8156NH	TUBE	1/2" O.D. x 3/8" ID NYLON	
+ K8128	SEAT RING	BRONZE	B584 C89833 or C87850				
K8129	DRAIN TUBE	BRASS	B135 C23000				

\* Denotes that the part is available only as part of an assembly  
 # Must specify type of nozzle, hose or steamer  
 + Recommended spare parts